

Ashdon

| | | |
|------------------------|------------------------|------------------------|
| Product Code: 8613 | Fuel Type: Natural Gas | Flue Types: Flexiliner |
| Fuel Effect: Logs | Size / Type: Medium | Prefabricated |
| Efficiency: up to 78 % | Colour: Matt Black | |
| Heat Input: 6.45 kw | Heat Output: 5.03 kw | |

Product Specific Information

This product can be upgraded to remote control using either Standard or Programmable Thermostatic Timer Remote: see Accessory list below. The Ashdon has a choice of top or rear flue exit.

If installing into a brick chimney a 5"(125mm) flexiliner and GC1 cowl must be fitted. This appliance cannot be used with a power flue kit.

Please note: Due to the possible high temperature of the convected air above Gazco gas fires and stoves we recommend that Plasma TVs, valuable mirrors, photographs, paintings, porcelain, or other valuable items are not placed on the wall immediately above the appliance. Such artifacts may be damaged by long term exposure to fluctuating temperatures. The use of a mantelpiece may reduce the possibility of damage but Gazco does not accept any responsibility for damage in this instance.

Site Requirements

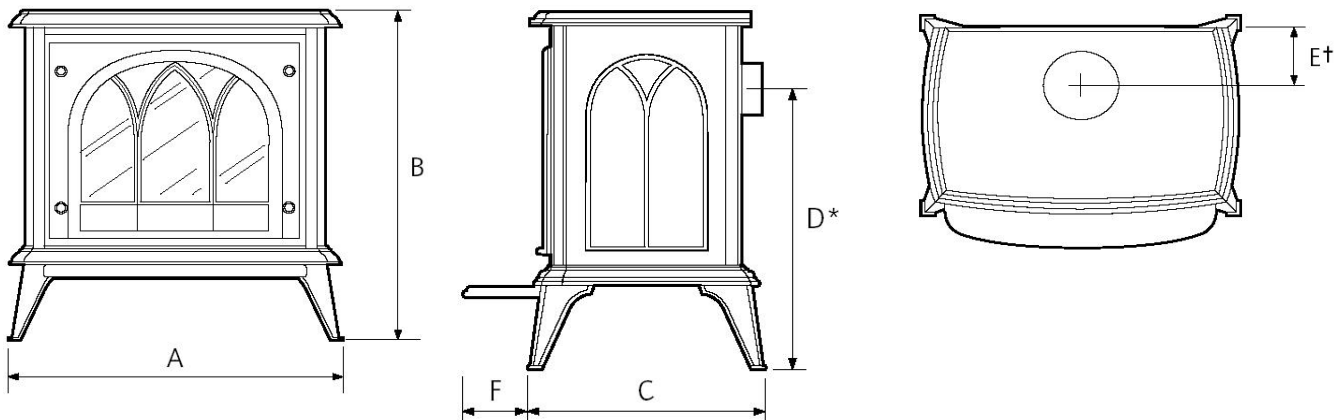
For specific information regarding full site requirements please refer to the installation instructions.

Recommended clearances between stove and other surfaces Top 9"(225mm), Sides 6"(150mm), Rear must be a minimum of 2"(50mm). This appliance must stand on a non combustible hearth that is at least 12mm thick and a minimum of 2"(50mm) all around the stove.

Servicing

Gazco recommends that this appliance is serviced every 12 months by your dealer or a registered CORGI engineer

Sizes



| | <u>A</u> | <u>B</u> | <u>C</u> | <u>D</u> | <u>E</u> | <u>F</u> | <u>G / C1</u> |
|------------|----------|----------|----------|----------|----------|----------|---------------|
| <u>mm</u> | 654 | 652 | 440 | 463 | 126 | 75 | |
| <u>ins</u> | 25 3/4 | 25 3/4 | 17 3/4 | 18 1/4 | 5 | 3 | |

D: Balanced Flue Version 20 1/2" (520mm)

E: Balanced Flue version 6 1/4" (158mm)

Ventilation

This appliance does not require specific ventilation.

Accessories

| <u>Code</u> | <u>Description</u> |
|-------------|--|
| 4500 | 1' Straight Flue Pipe (Black) |
| 4501 | 2' Straight Flue Pipe (Black) |
| 4502 | 3' Straight Flue Pipe (Black) |
| 4514 | 90° Long Flue 'Elbow' Adaptor (9" Projection) |
| 8549 | Flue Collar (Black) |
| 8455 | Standard Remote Control Kit |
| 8456 | Programmable Thermostatic Timer Remote Control Kit |
| 8113 | Longer Legs (Mt Blk only)* not with closure plate |

A set of longer legs, raising the height of the Ashdon by 2 1/8" (55mm) is available as an optional extra. Product Code 8113.