

Stockton

Product Code: P8540GR	Fuel Type: LPG	Flue Types: Balanced Flue
Fuel Effect: Logs	Size / Type: Small	
Efficiency: up to 82 %	Colour: Metallic Green	
Heat Input: 3.65 kw	Heat Output: 2.92 kw	

Product Specific Information

The Stockton has a choice of top or rear flue exit. This product can be upgraded to remote control using either Standard or Programmable Thermostatic Timer Remote: see Accessory list below.

PLEASE NOTE: THE SMALL STOCKTON IS REAR FLUE ONLY. (8526 REAR KIT ONLY). This product can only be used with Gazco Balanced Flue Pipe which is available separately. Refer to Gazco Balanced Flue Technical Information sheet for available flue configurations, which can be downloaded on www.gazco.com.

Please note: Due to the possible high temperature of the convected air above Gazco gas fires and stoves we recommend that Plasma TVs, valuable mirrors, photographs, paintings, porcelain, or other valuable items are not placed on the wall immediately above the appliance. Such artifacts may be damaged by long term exposure to fluctuating temperatures. The use of a mantelpiece may reduce the possibility of damage but Gazco does not accept any responsibility for damage in this instance.

Site Requirements

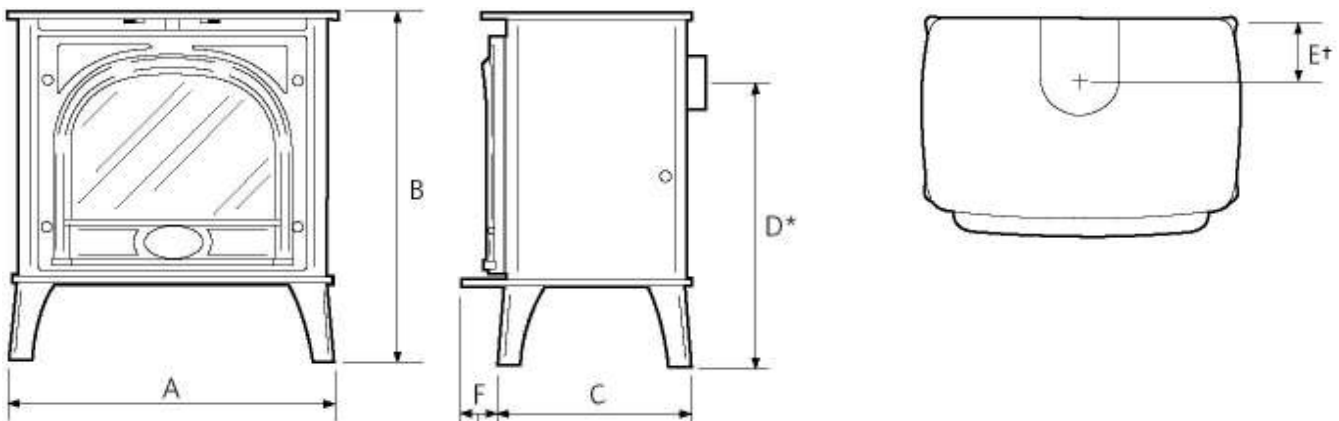
For specific information regarding full site requirements please refer to the installation instructions.

Recommended clearances between stove and other surfaces Top 9"(225mm), Sides 6"(150mm), Rear must be a minimum of 2"(50mm). This appliance must stand on a non combustible hearth that is at least 12mm thick and a minimum of 2"(50mm) all around the stove.

Servicing

Gazco recommends that this appliance is serviced every 12 months by your dealer or a registered CORGI engineer

Sizes



	<u>A</u>	<u>B</u>	<u>C</u>	<u>D</u>	<u>E</u>	<u>F</u>	<u>G / C1</u>
<u>mm</u>	422	525	290	367	110	50	
<u>ins</u>	16 5/8	20 5/8	11 1/2	13 1/3	4 3/8	2	

E: Balanced Flue version 5 1/2" (140mm)

D: Small Balanced Flue version 14 1/2 (366mm). Medium Balanced Flue version 19" (482mm)

Ventilation

There are no specific ventilation requirements for this appliance.

Accessories

<u>Code</u>	<u>Description</u>
8549	Flue Collar (Black)
8456	Programmable Thermostatic Timer Remote Control Kit
8548	Flue Collar (Balanced Flue)

Balanced Flue versions of the Gas Stockton must only use the 6" stainless steel flue provided. Gazco recommends the use of 5" matt black enamelled stove pipe with the standard version.