

## Linea

Product Code: P8651	Fuel Type: LPG	Flue Types: Balanced Flue
Fuel Effect: N/A	Size / Type: Linea	
Efficiency: up to %	Colour: N/A	
Heat Input: 5.25 kw	Heat Output: 4.3 kw	

### Product Specific Information

This appliance must be installed a minimum of 150mm from floor level and a minimum of 460mm from the ceiling.

Rear flue exit only, maximum length 500mm. Remote is sequential, manual touch pad also as standard.

Please note: Due to the possible high temperature of the convected air above Gazco gas fires and stoves we recommend that Plasma TVs, valuable mirrors, photographs, paintings, porcelain, or other valuable items are not placed on the wall immediately above the appliance. Such artifacts may be damaged by long term exposure to fluctuating temperatures. The use of a mantelpiece may reduce the possibility of damage but Gazco does not accept any responsibility for damage in this instance.

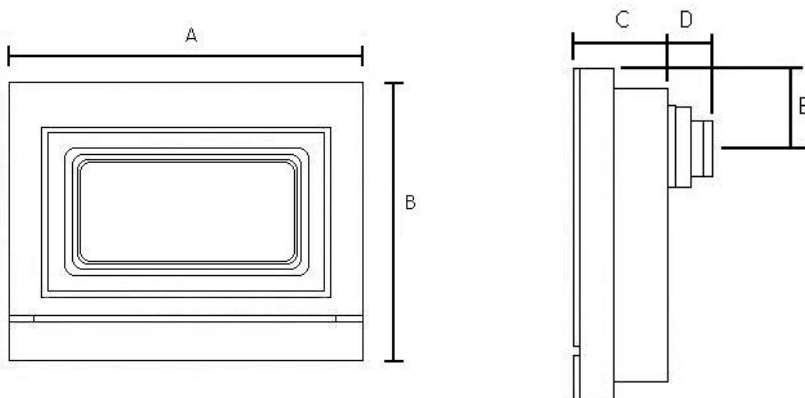
### Site Requirements

For specific information regarding full site requirements please refer to the installation instructions.

### Servicing

Gazco recommends that this appliance is serviced every 12 months by your dealer or a registered CORGI engineer.

### Sizes



	<u>A</u>	<u>B</u>	<u>C</u>	<u>D</u>	<u>E</u>	<u>F</u>	<u>G / C1</u>
<u>mm</u>	775	620	170	78	145		
<u>ins</u>	30 1/2	24 1/4	6 1/2	3 1/8	5 1/2		

See Frame Measurements for overall external dimensions.

### Ventilation

There are no specific ventilation requirements

### Frames

<u>Code</u>	<u>Frame Type</u>	<u>Finish</u>	<u>Width</u>	<u>Height</u>	<u>Depth</u>
8652MA	Designio	Metallic Alloy	<u>mm</u> 775	620	170
			<u>ins</u> 30	24	6 3/4

---

8689	Plano	Ribbed Steel	<u>mm</u> 1050	650	167
			<u>ins</u> 41 3/8	25 5/8	6 5/8
8653AN	Vetro	Anthracite	<u>mm</u> 1050	650	167
			<u>ins</u> 41 3/8	25 3/8	6 5/8
8653WH	Vetro	White	<u>mm</u> 1050	650	167
			<u>ins</u> 41 3/8	25 3/8	6 5/8

**Accessories**

<u>Code</u>	<u>Description</u>
8654MA	Decorative Pipe Cover - Metallic Alloy
8654MB	Decorative Pipe Cover - Matt Black

Decorative pipe cover is required when gas inlet is located at the front of the fire.