

Linea

| | | |
|---------------------|------------------------|---------------------------|
| Product Code: 8651 | Fuel Type: Natural Gas | Flue Types: Balanced Flue |
| Fuel Effect: N/A | Size / Type: Linea | |
| Efficiency: up to % | Colour: N/A | |
| Heat Input: 5.25 kw | Heat Output: 4.3 kw | |

Product Specific Information

This appliance must be installed a minimum of 150mm from floor level and a minimum of 460mm from the ceiling.

Rear flue exit only, maximum length 500mm. Remote is sequential, manual touch pad also as standard.

Please note: Due to the possible high temperature of the convected air above Gazco gas fires and stoves we recommend that Plasma TVs, valuable mirrors, photographs, paintings, porcelain, or other valuable items are not placed on the wall immediately above the appliance. Such artifacts may be damaged by long term exposure to fluctuating temperatures. The use of a mantelpiece may reduce the possibility of damage but Gazco does not accept any responsibility for damage in this instance.

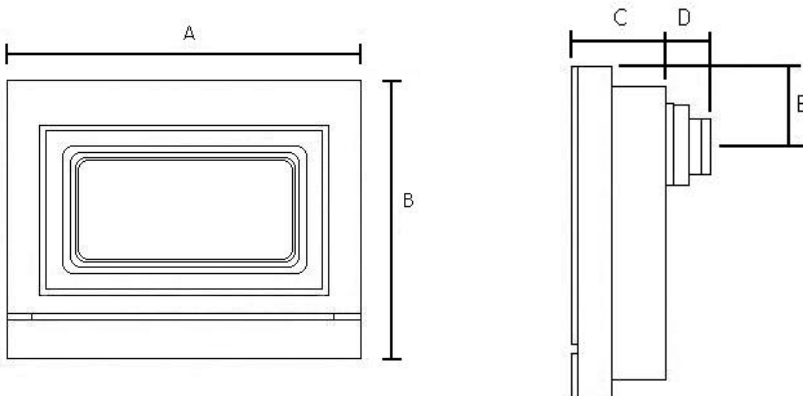
Site Requirements

For specific information regarding full site requirements please refer to the installation instructions.

Servicing

Gazco recommends that this appliance is serviced every 12 months by your dealer or a registered CORGI engineer.

Sizes



| | <u>A</u> | <u>B</u> | <u>C</u> | <u>D</u> | <u>E</u> | <u>F</u> | <u>G / C1</u> |
|------------|----------|----------|----------|----------|----------|----------|---------------|
| <u>mm</u> | 775 | 620 | 170 | 78 | 145 | | |
| <u>ins</u> | 30 1/2 | 24 1/4 | 6 1/2 | 3 1/8 | 5 1/2 | | |

See Frame Measurements for overall external dimensions.

Ventilation

There are no specific ventilation requirements

Frames

| <u>Code</u> | <u>Frame Type</u> | <u>Finish</u> | <u>Width</u> | <u>Height</u> | <u>Depth</u> |
|-------------|-------------------|----------------|---------------|---------------|--------------|
| 8652MA | Designio | Metallic Alloy | <u>mm</u> 775 | 620 | 170 |
| | | | <u>ins</u> 30 | 24 | 6 3/4 |

| | | | | | |
|--------|-------|--------------|-------------------|--------|-------|
| 8689 | Plano | Ribbed Steel | <u>mm</u> 1050 | 650 | 167 |
| | | | <u>ins</u> 41 3/8 | 25 5/8 | 6 5/8 |
| 8653AN | Vetro | Anthracite | <u>mm</u> 1050 | 650 | 167 |
| | | | <u>ins</u> 41 3/8 | 25 3/8 | 6 5/8 |
| 8653WH | Vetro | White | <u>mm</u> 1050 | 650 | 167 |
| | | | <u>ins</u> 41 3/8 | 25 3/8 | 6 5/8 |

Accessories

| <u>Code</u> | <u>Description</u> |
|-------------|--|
| 8654MA | Decorative Pipe Cover - Metallic Alloy |
| 8654MB | Decorative Pipe Cover - Matt Black |
| 8654PR | Decorative Pipe Cover (Primed Only) |

Decorative pipe cover is required when gas inlet is located at the front of the fire.