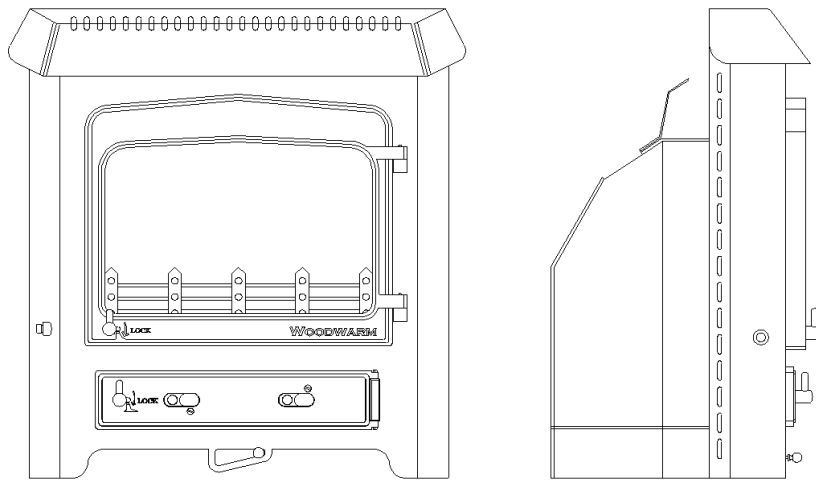




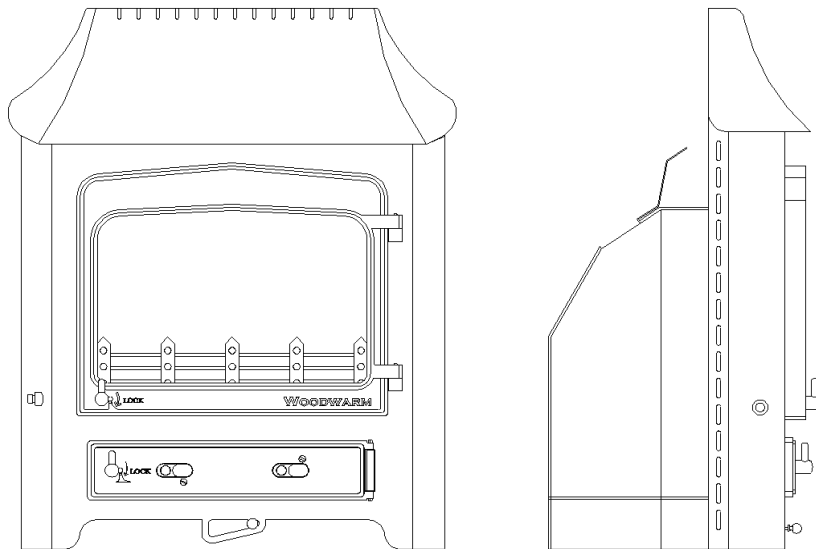
SPECIFICATION SHEET

FIREVIEW INSET 4 kw

Flat Top



Low Canopy



Dimensions (mm)

Overall Height		Overall Width		Overall Depth
Flat Top	695	Flat Top	775	400
Low Canopy	825	Low Canopy	785	400

Rear Box	
Height	520
Width	363
Depth	240
Designed to fit standard 406mm precast fire back	
Flue Outlet Size	
(if flue connected via optional factory fitted adaptor)	152
Max. Log Length	260

No boiler option

The standard finish for the above stove is metallic black, although the following finishes are also available from the factory:
 Rich Brown Metallic, Honey Glow Brown, Blue Metallic and Forest Green.
 (Ask your Dealer for a colour chart).